



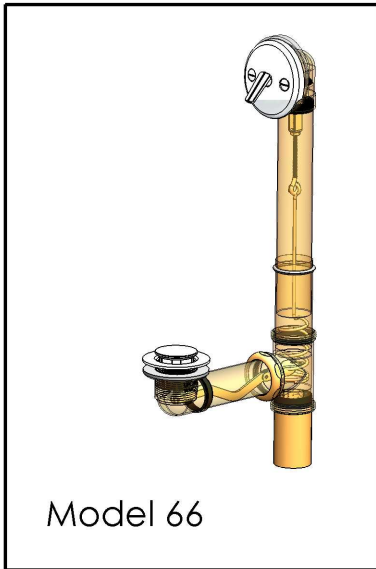
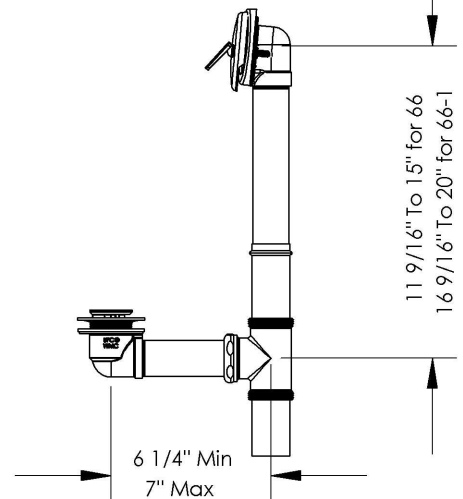
66 Series

Trip Lever Bath Drain

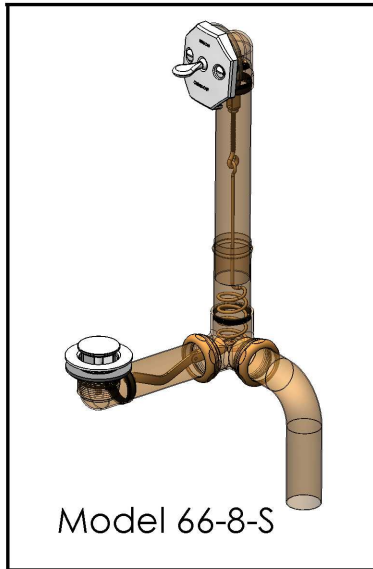
Overflow Tube adjusts to fit all standard tubs & whirlpools.

Move Lever, located at Face plate up to close or down to open.

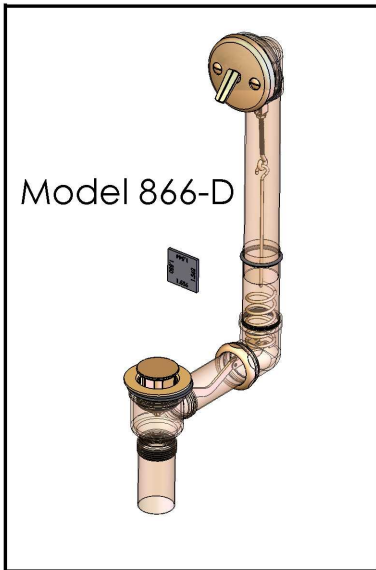
1-1/2" Brass Pipe 20 Gauge



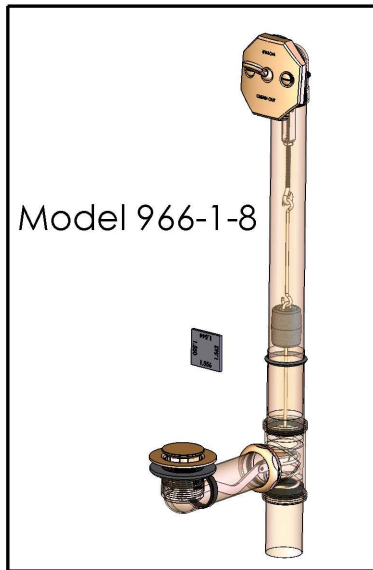
Model 66



Model 66-8-S



Model 866-D



Model 966-1-8

Model	Description	Model	Description
66	Round Chrome Faceplate	866	Round Bright Brass Faceplate
66-1	Round Chrome Faceplate- Whirlpool	866-1	Round Bright Brass Faceplate- Whirlpool
66-8	Octagon Chrome Face plate	866-D	Round Bright Brass Faceplate - Direct Drain
66-D	Round Chrome Faceplate - Direct Drain	866-S	Round Bright Brass Faceplate- Side Outlet
66-S	Round Chrome Faceplate- Side outlet	866-1-D	Round Bright Brass Faceplate- Whirlpool -Direct Drain
66-1-8	Octagon Chrome Faceplate- Whirlpool	866-1-S	Round Bright Brass Faceplate- Whirlpool -Side Outlet
66-1-D	Round Chrome Faceplate- Whirlpool - Direct Drain	966-8	Octagon Antique Brass Face plate
66-1-S	Round Chrome Faceplate- Whirlpool -Side Outlet	966-1-8	Octagon Antique Faceplate- Whirlpool
66-8-D	Octagon Chrome Face plate -Direct Drain	966-1-D	Octagon Antique Faceplate- Whirlpool - Direct Drain
66-8-S	Octagon Chrome Face plate -Side Outlet	966-8-D	Octagon Antique Brass Face plate - Direct Drain
66-1-8-D	Octagon Chrome Faceplate- Whirlpool -Direct Drain	966-8-S	Octagon Antique Brass Face plate - Side Outlet
66-1-8-S	Octagon Chrome Faceplate- Whirlpool- Side Outlet	966-1-8-S	Octagon Antique Faceplate- Whirlpool -Side Outlet

American Craftsmanship Since 1892

When Ordering Specify Complete Model Number