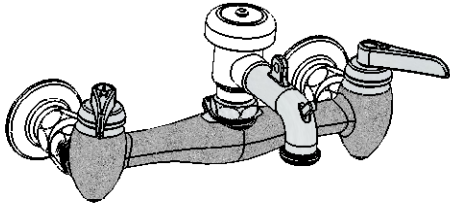
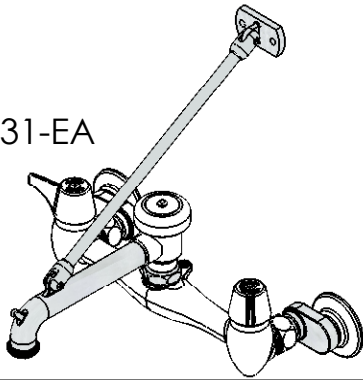


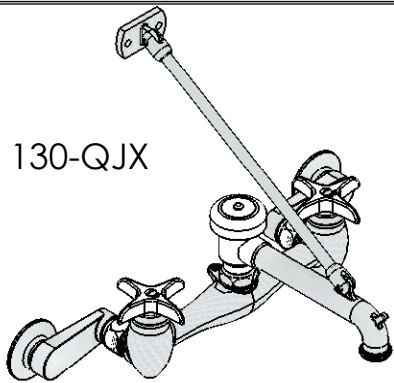
120 Series



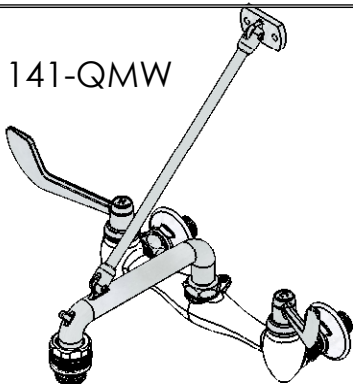
131-EA



130-QJX



141-QMW



120 & 130 & 140 Series

Features: Cast Brass Body
 Chrome Plated Rough Or Polished Brass
 Compression Or Quarter Turn Valves
 Replaceable Seats

120 = 4" Spout Standard Vacuum Breaker Rough Chrome
121 = 4" Spout Standard Vacuum Breaker Polished Chrome
130 = 6.5" Spout Standard Vacuum Breaker Rough Chrome
131 = 6.5" Spout Standard Vacuum Breaker Polished Chrome
140 = 6.5" Spout Outlet Vacuum Breaker Rough Chrome
141 = 6.5" Spout Outlet Vacuum Breaker Polished Chrome

Add the Letters for the following features if you want them added to the finished assembly.

The(*) indicates that the part is the standard normal part for this assembly and requires no lettering

(*) = Compression Valves
 (Q) = Quarter Turn Ceramic Disk Valves

(*) = 3/16 Eccentric Female Flange (7&5/8 -8&3/8" supply centers)
 (M) = 3/64 Eccentric Male Flange (7&29/32 - 8&3/32" supply centers)
 (E) = 1" Eccentric Female Flange (6 -10" supply centers)
 (J) = 2.5" Eccentric Female Flange (3-13" supply centers)

(*) = Blade Handle
 (A) = Wall mount Style Handle
 (X) = Cross Handle
 (W) = Wrist Blade Handle

American Craftsmanship Since 1892

When Ordering Specify Complete Model Number