

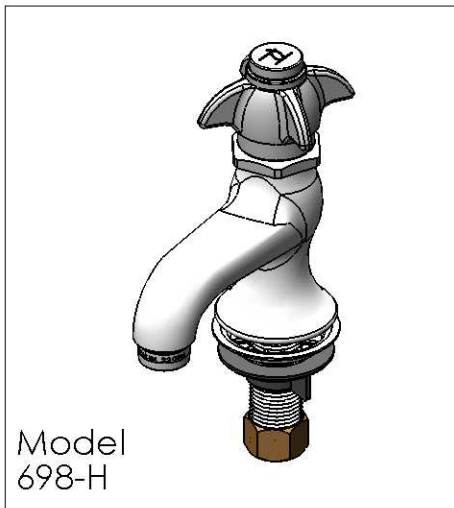
Model  
698-C

## 698 Series Self Closing Faucets

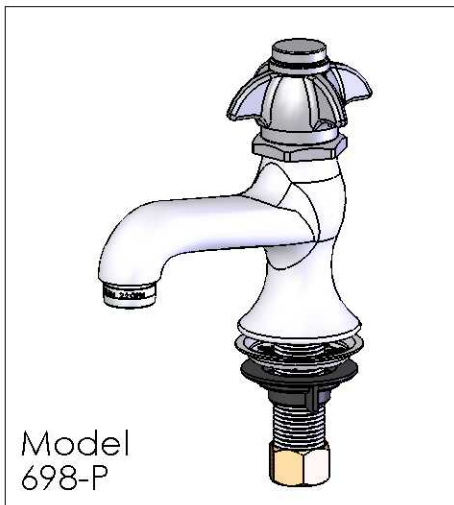
Features: Aerated controlled flow rate  
Limited to 2.2 gal. per Min.

Spring loaded automatic shutoff

1/2-14 TPI. Supplies



Model  
698-H



Model  
698-P

Model	Description
698-P	Self-Closing Single-Basin, Plain
698-H	Self-Closing Single-Basin, Hot
698-C	Self-Closing Single-Basin, Cold
80050-P	Valve Assembly- 4 Arm Handle, Plain
80050-H	Valve Assembly- 4 Arm Handle, Hot
80050-C	Valve Assembly- 4 Arm Handle, Cold
80051-P	Valve Assembly- Lever Handle, Plain
80051-H	Valve Assembly- Lever Handle, Hot
80051-C	Valve Assembly- Lever Handle, Cold
80052-P	Valve Assembly- Lever & Chain, Plain
80052-H	Valve Assembly- Lever & Chain, Hot
80052-C	Valve Assembly- Lever & Chain, Cold
97738	Hot Handle Cap
97739	Cold Handle Cap
97740	Plain Handle Cap

## Quality Craftsmanship Since 1892

When Ordering Specify Complete Model Number