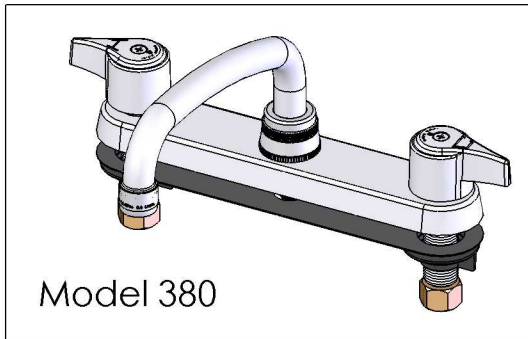


380 Series

Compression Valves



Model 380

8" Ledge Type Kitchen Sink Faucet

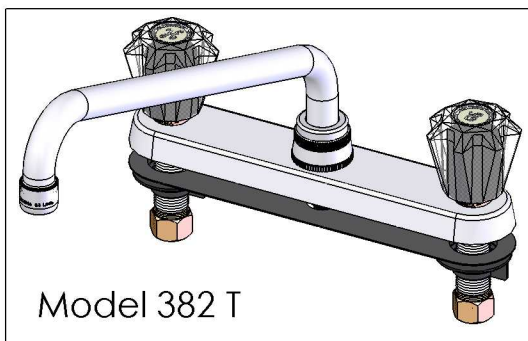
Features:

Washer-Type Renew valves and seats

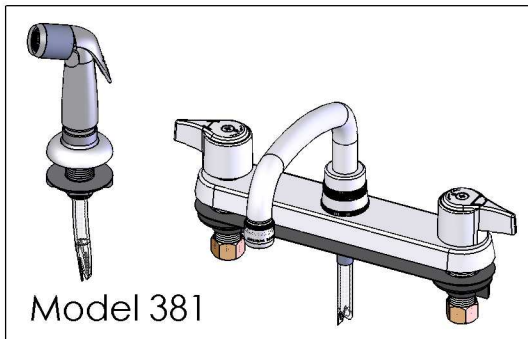
Solid Cast Brass Bodies with 8" Centers

Polished Chrome Plated Finish

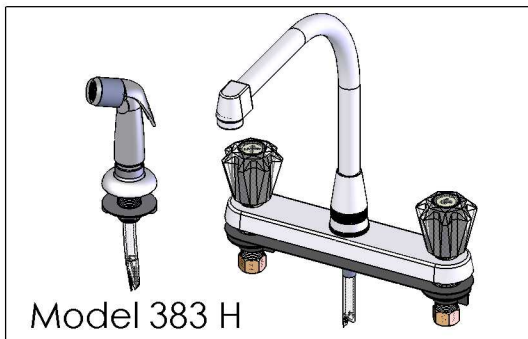
1/2 NPT Supply Fittings



Model 382 T



Model 381



Model 383 H

8" Centers- Cast Brass Body- Compression Valves

Model	Description
380S	6" Spout w/ Metal Handles
380	8" Spout w/ Metal Handles
380T	12" Spout w/ Metal Handles
380F	14" Spout w/ Metal Handles
380C	Cast Spout w/ Metal Handles
380D	D-Spout w/ Metal Handles
380G	Gooseneck Spout w/ Metal Handles
380H	Hi-Rise Spout w/ Metal Handles
382S	6" Spout w/ Acrylic Handles
382	8" Spout w/ Acrylic Handles
382T	12" Spout w/ Acrylic Handles
382F	14" Spout w/ Acrylic Handles
382C	Cast Spout w/ Acrylic Handles
382D	D-Spout w/ Acrylic Handles
382G	Gooseneck Spout w/ Acrylic Handles
382H	Hi-Rise Spout w/ Acrylic Handles
381	8" Spout With Spray- Metal Handles
381C	Cast Spout With Spray- Metal Handles
381D	D-Spout With Spray- Metal Handles
381H	Hi-Rise Spout With Spray- Metal Handles
383	8" Spout With Spray- Acrylic Handles
383C	Cast Spout With Spray- Acrylic Handles
383D	D-Spout With Spray- Acrylic Handles
383H	Hi-Rise Spout With Spray- Acrylic Handles

Quality Craftsmanship Since 1892

When Ordering Specify Complete Model Number