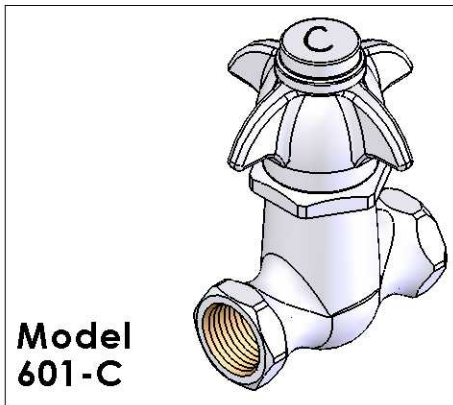
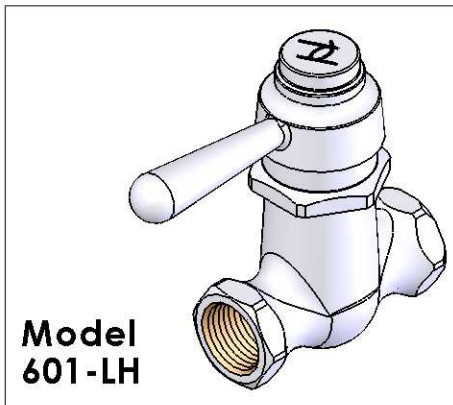


# 601 & 603 Series

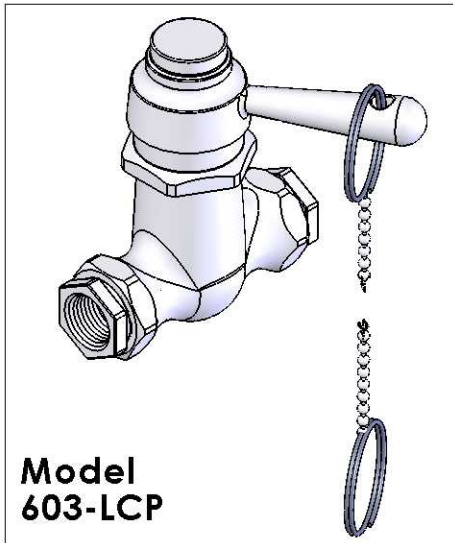
Self Closing Stops, Faucets, and Parts



**Model  
601-C**



**Model  
601-LH**



**Model  
603-LCP**

Model	Finished Goods Description
601-H	½"-14 Self-Closing Stop Cross Handle - Hot Valve
601-C	½"-14 Self-Closing Stop Cross Handle - Cold Valve
601-P	½"-14 Self-Closing Stop Cross Handle - Plain Valve
601-LH	½"-14 Self-Closing Stop Lever Handle - Hot Valve
601-LC	½"-14 Self-Closing Stop Lever Handle - Cold Valve
601-LP	½"-14 Self-Closing Stop Lever Handle - Plain Valve
601-LCH	½"-14 Self-Closing Stop Lever & Chain- Hot Valve
601-LCC	½"-14 Self-Closing Stop Lever & Chain - Cold Valve
601-LCP	½"-14 Self-Closing Stop Lever & Chain - Plain Valve
603-H	¾"- 18 Self-Closing Stop Cross Handle - Hot Valve
603-C	¾"- 18 Self-Closing Stop Cross Handle - Cold Valve
603-P	¾"- 18 Self-Closing Stop Cross Handle - Plain Valve
603-LH	¾"- 18 Self-Closing Stop Lever Handle - Hot Valve
603-LC	¾"- 18 Self-Closing Stop Lever Handle - Cold Valve
603-LP	¾"- 18 Self-Closing Stop Lever Handle - Plain Valve
603-LCH	¾"- 18 Self-Closing Stop Lever & Chain- Hot Valve
603-LCC	¾"- 18 Self-Closing Stop Lever & Chain - Cold Valve
603-LCP	¾"- 18 Self-Closing Stop Lever & Chain - Plain Valve
Part #	Valve Assembly Description
80050-P	Valve Assembly- 4 Arm Handle, Plain
80050-H	Valve Assembly- 4 Arm Handle, Hot
80050-C	Valve Assembly- 4 Arm Handle, Cold
80051-P	Valve Assembly- Lever Handle, Plain
80051-H	Valve Assembly- Lever Handle, Hot
80051-C	Valve Assembly- Lever Handle, Cold
80052-P	Valve Assembly- Lever & Chain, Plain
80052-H	Valve Assembly- Lever & Chain, Hot
80052-C	Valve Assembly- Lever & Chain, Cold
Part #	Parts Description
82324	Chain
97738	Hot Handle Cap
97739	Cold Handle Cap
97740	Plain Handle Cap
80638	Chrome (1/2-14tpi) To (3/8-18tpi) Adapter

**Quality Craftsmanship Since 1892**

When Ordering Specify Complete Model Number