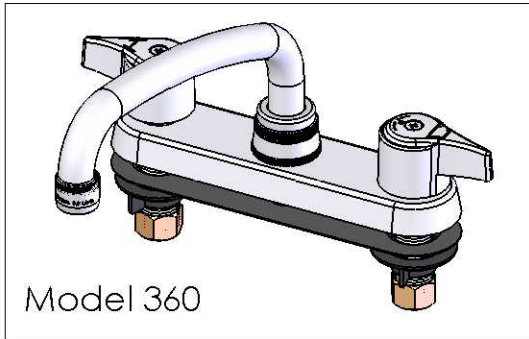


360 Series

Compression Valves



Model 360

6" Ledge Type Kitchen Sink Faucet

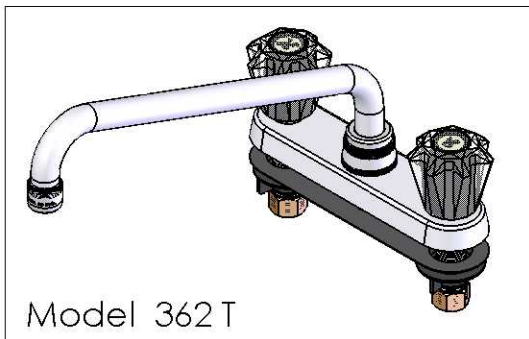
Features:

Washer-Type Renew valves and seats

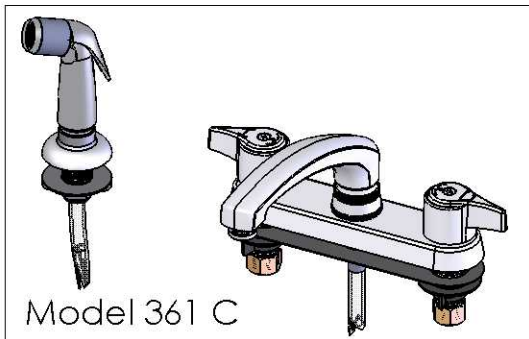
Solid Cast Brass Bodies with 6" Centers

Polished Chrome Plated Finish

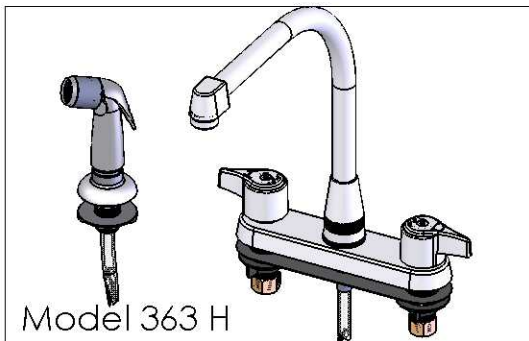
1/2 NPT Supply Fittings



Model 362T



Model 361 C



Model 363 H

6" Centers- Cast Brass Body- Compression Valves	
Model	Description
360S	6" Spout w/ Metal Handles
360	8" Spout w/ Metal Handles
360T	12" Spout w/ Metal Handles
360F	14" Spout w/ Metal Handles
360C	Cast Spout w/ Metal Handles
360D	D-Spout w/ Metal Handles
360H	Hi-Rise Spout w/ Metal Handles
360G	Gooseneck Spout w/ Metal Handles
362S	6" Spout w/ Acrylic Handles
362	8" Spout w/ Acrylic Handles
362T	12" Spout w/ Acrylic Handles
362F	14" Spout w/ Acrylic Handles
362C	Cast Spout w/ Acrylic Handles
362D	D-Spout w/ Acrylic Handles
362H	Hi-Rise Spout w/ Acrylic Handles
362 G	Gooseneck Spout w/Acrylic Handles
361	8" Spout With Spray- Metal Handles
361C	Cast Spout With Spray- Metal Handles
361D	D-Spout With Spray- Metal Handles
361H	Hi-Rise Spout With Spray- Metal Handles
363	8" Spout With Spray- Acrylic Handles
363C	Cast Spout With Spray- Acrylic Handles
363D	D-Spout With Spray- Acrylic Handles
363H	Hi-Rise Spout With Spray- Acrylic Handles

Quality Craftsmanship Since 1892

When Ordering Specify Complete Model Number