



605-VB Series Chrome Standpipe

With Vaccume Breaker

1/2 Inch NPT Connection

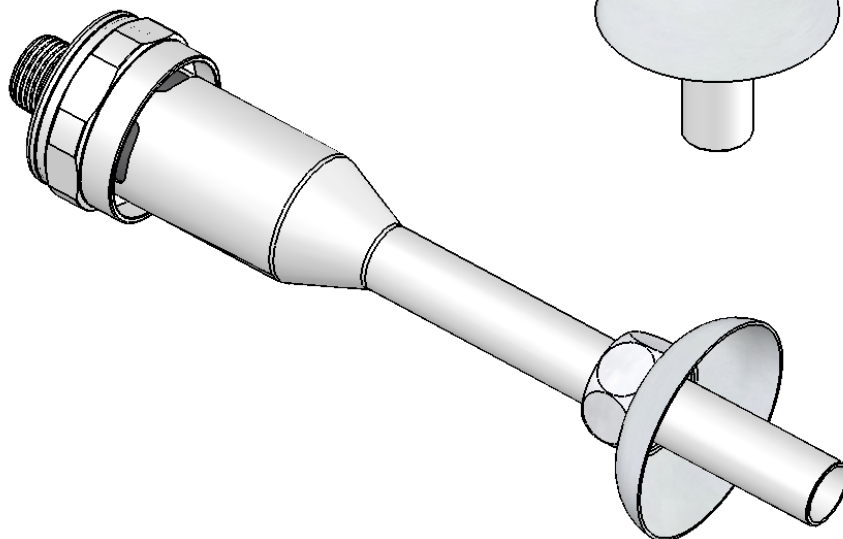
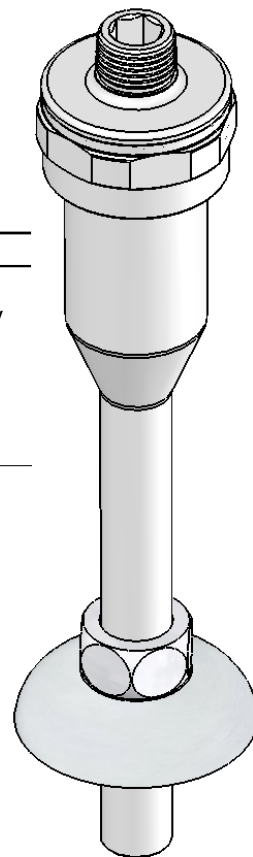
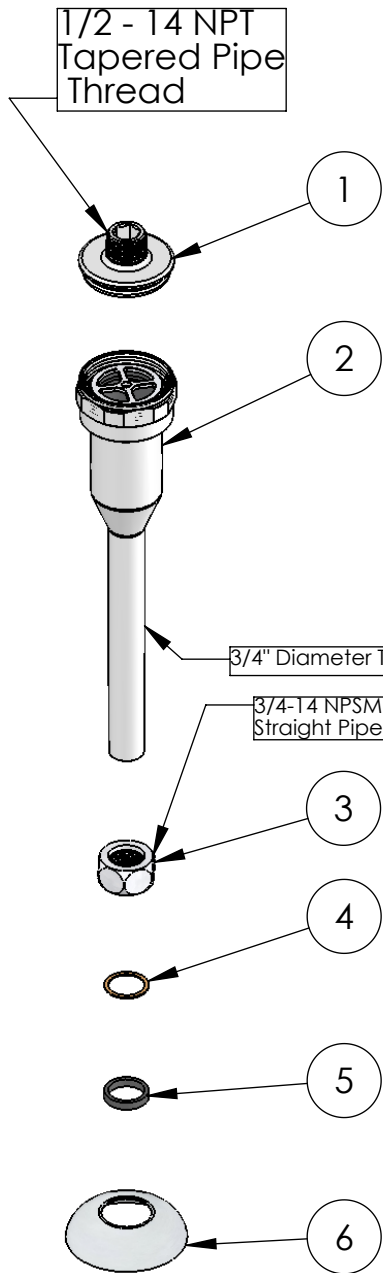
Polished Chrome Plated Finish

Slip Tube Fitting

Fits Standard 3/4 inch Iron Pipe

605-VB Series Parts List

Item	Part #	Description
1	85335	1/2" Pipe Fitting Addaptor
2	82915	Vaccume Breaker-Tube Assembly
3	85323	Pipe Nut
4	13920	Brass Thrust Washer
5	13842	Rubber Seal
6	81002	Escutcheon



For more information contact:

UNION BRASS MANUFACTURING COMPANY

2955 Lone Oak Circle, Eagan, MN 55121

Phone (651) 454-8858 Fax (651) 454-1228

WWW.UNIONBRASS.COM