

Model	Description
239	Compression Valves Cross Handles
239-A	Compression Valves Acrylic Handles
739	1/4 Turn Valves Cross Handles
739-A	1/4 Turn Valves Acrylic Handles



SPECIFICATIONS

Cast Brass Body with 3 & 3/8" Centers on supplies

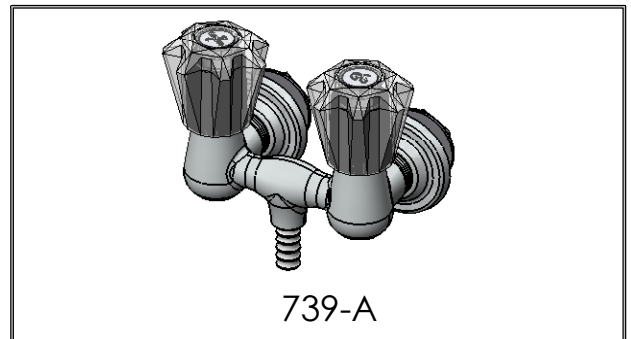
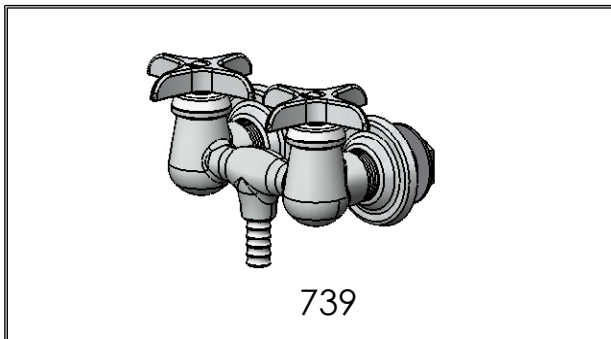
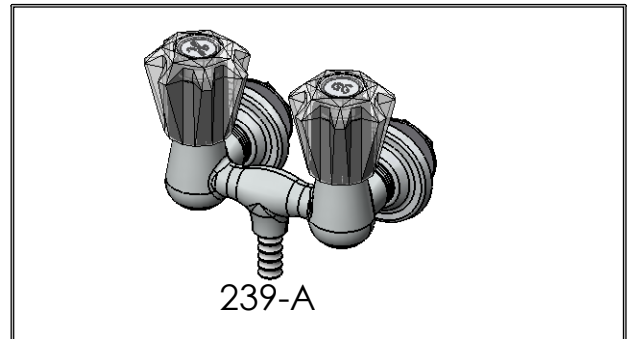
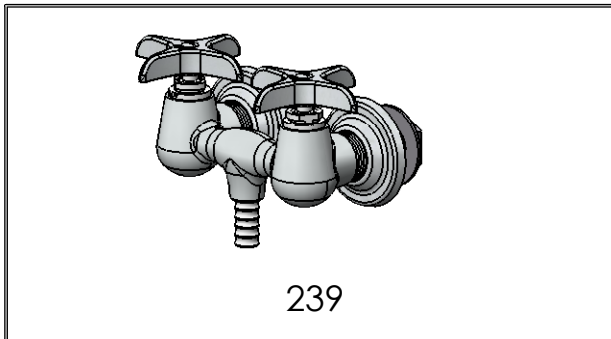
Chrome Plated Assembly

Washer type Renew Valves & Seats or Ceramic-Disc Washerless Valves

Cross or Acrylic handle Options.

3/4" - 14 NPS Supply Fittings

239 & 739 Long Series



American Craftsmanship Since 1892

When Ordering Specify Complete Model Number